



ContentKeeper

Web Content Appliance
with Closed-Loop Collaborative Filtering™



Ontario School Boards Update - December 2007

ContentKeeper Web Filtering

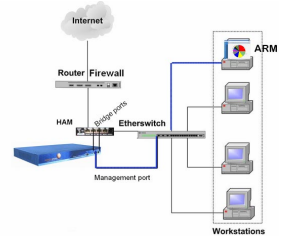
June 2007 - ContentKeeper announces enhanced SSL filtering capability

Two Solutions Now Available:

SSLupgrade - On-board SSL filtering with ContentKeeper Web

SSLi - Deep Packet Inspection appliance; for Large Enterprises

.....See next page for details.



Recent ContentKeeper Announcements:

- CKWeb Filtering - Over 100 P2P Protocols now controlled
- CKWeb Filtering - Support for multiple LDAP servers – Planned Release: 1st Quarter 2008
- CK Home/CK Professional - Extends ContentKeeper protection to off-site users – Planned Release: 2nd Quarter 2008
- ContentKeeper Guardian -Prevent cyber-bullying and other online misuse - now available

*New > ContentKeeper Guardian for:

Bullying Management

- *Fail-safe protection where behavior correction has not worked*
- *Early Identification = Early Intervention = Greater Protection*
- *Secure, private &, evidential quality information management*

Predator / Pedophile Identification & Protection

- *Manitoba announces tougher legislation to uncover perpetrators*
- *Increasing concern re. use of cyberspace*
- *Needs all available technology solutions.....*



.....ContentKeeper Guardian scans for both Outgoing and Incoming threats!

.....See below for details.

Choosing ContentKeeper

- ContentKeeper Web Filtering now protecting three Ontario Boards
- Consider CKWeb when renewing your Board's Web filtering commitment
- CKWeb price: Special pricing for all Ontario School Boards
- Choose both CKWeb and Guardian for total cyber-security



ContentKeeper Web Filtering – SSL and SSLi Solutions

SSL Upgrade: On-Board SSL Filtering

As a standard feature, ContentKeeper Web Filtering now provides enhanced capability to monitor and control threats from all SSL-connected sessions, employing SSL Certificate authenticity and verification techniques. SSL sessions can now be filtered according to your customized Policy settings. New SSL configuration settings offer security yet freedom and flexibility, with protection from persistent hacking techniques.

The enhanced SSL filtering support is fully integrated with ContentKeeper Web Filtering Policies and includes the following configuration options (and more):

- Specify port numbers for filtering.
- Management of Trusted Certificate Authorities database; Import/Export/Revocation certificate signing facility
- Reporting of certificates used in Web browsing.
- Block SSL traffic using expired, invalid, revoked, malformed or self-signed SSL certificates.

SSL Inspector (SSLi): Appliance-based Deep Packet Inspection

ContentKeeper Technologies offers the next layer of security by engineering new technology that significantly improves the way in which SSL traffic is filtered. The ContentKeeper SSLi Appliance completely disassembles SSL packets, undertakes full Web and content filtering of the underlying URL, performs optional AntiVirus analysis, and reassembles the SSL packets for delivery to the user.

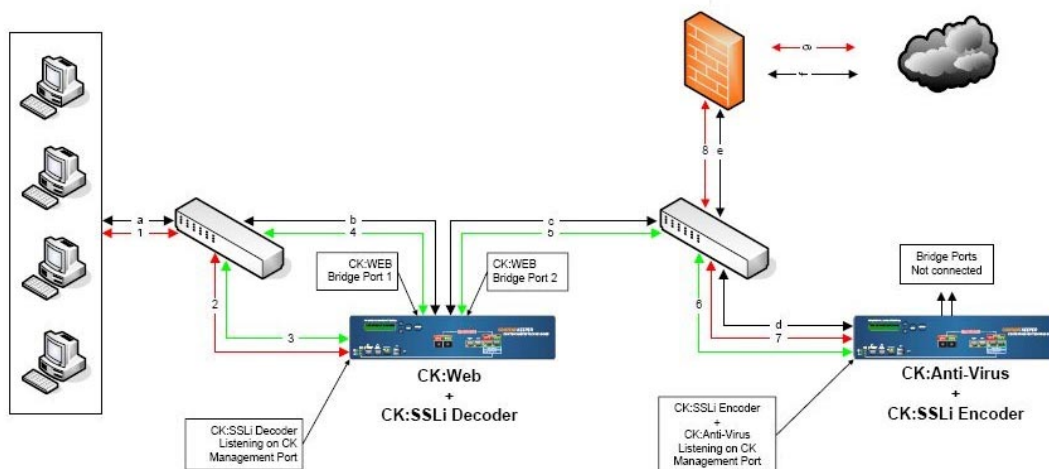
This approach retains the privacy and security required by users, protects the organization's network, and allows the freedom and flexibility for employees to undertake the work they are required to do.

The following related ContentKeeper documents are available - contact us for details:

“Understanding SSL and TLS in the context of Internet filtering technologies.”

“ContentKeeper SSL Deployment Diagrams”

And if you missed it, *“ContentKeeper Large Enterprise Security Update - June 2007”*



CONTENTKEEPER TECHNOLOGIES

ONTARIO SCHOOL BOARDS – UPDATE: December 2007

ContentKeeper Guardian - fostering responsible PC usage

Jurisdictions in the U.S. and Canada are enacting legislation to deal with the issue of student safety and students' rights to be free from abusive and discriminatory treatment while attending school.

Globally, Guardian Software is currently protecting over 500,000 student users.



Key Features

- Scans textual data displayed by on-line and off-line applications from Web, email, word-processing, IM, etc.
- Captures screenshots of potential threats based on word/phrase matching
- Gathers time-stamped screenshots and user identity for authorized personnel
- Alerts via SMS, cell phone, voice mail, email and on-screen pop-ups for priority situations
- Includes school laptops even when used off-network
- Performs ID matching using client-provided Directory Services and Authentication info
- Scans based on customizable and extensible word and phrase libraries
- Manages secure, encrypted information collection, storage and access
- Provides extensive reporting and archiving features

Testimonials

With Guardian software installed....

"we were getting 60-70 incidents of abuse of the school internet a week - including cyberbullying. Now it's down to two or three and provides an unparalleled level of protection for students."

"We are impressed with the software. It has already alerted us to an email situation that had the potential to lead a pupil into a difficult liaison."

"We have had instances with pupils bullying other pupils by email...in a situation like this bullied children will not tell you they are being bullied. The software helps to reveal who is being bullied and by whom."

"We have noticed attempts to misbehave on the system have been dramatically cut and that's an understatement!"

Call us for a trial installation at your site.

*APL Borealis: is the Canadian Distributor for ContentKeeper products, installation, support & training.
visit: www.contentkeeper.ca for details*